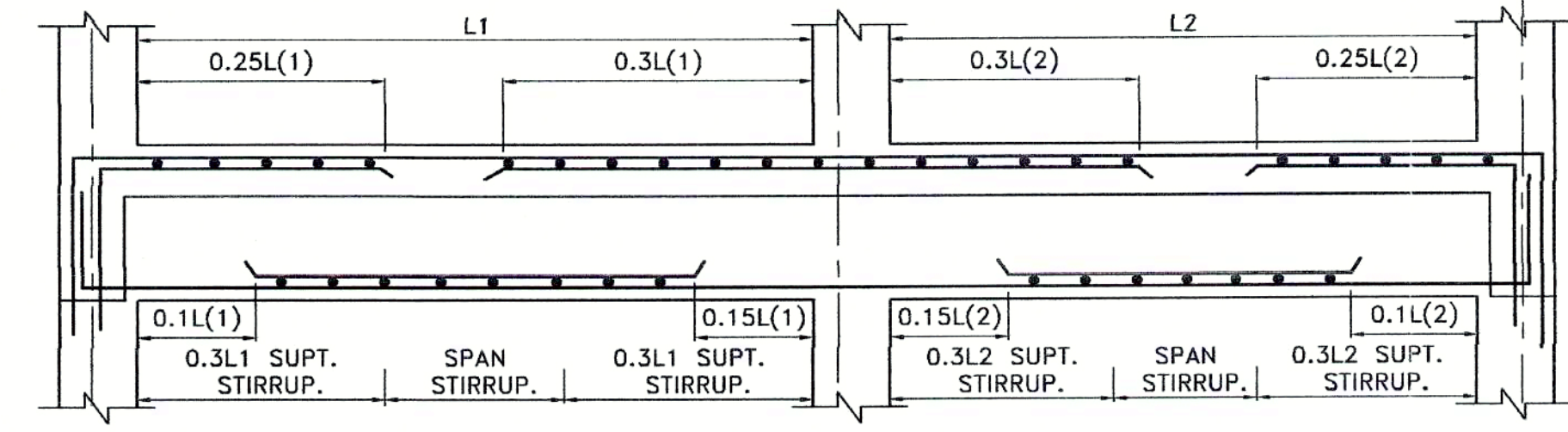
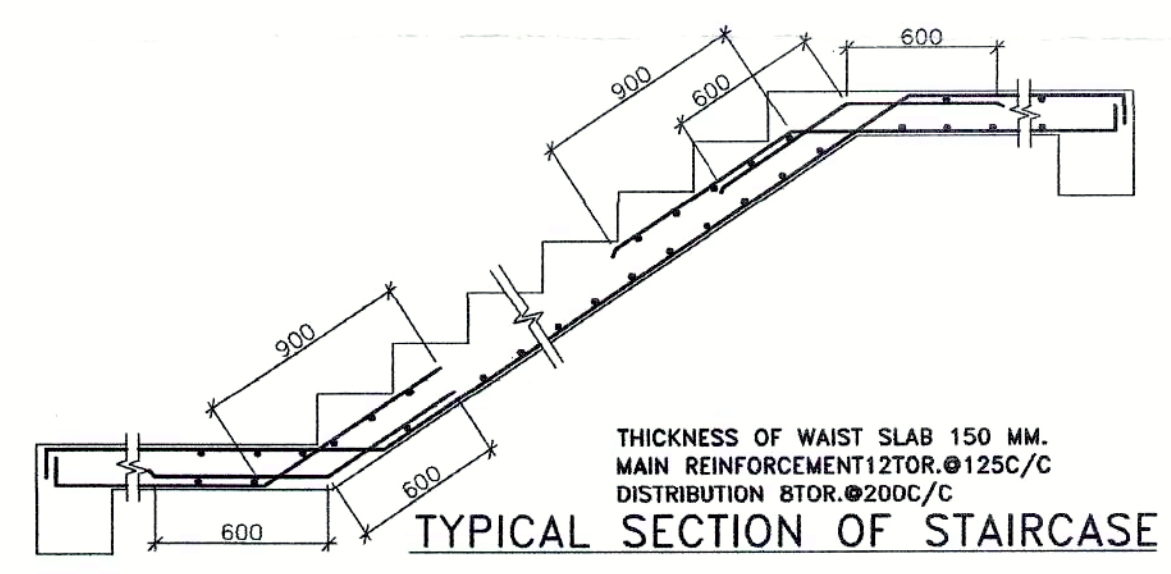


G.A. AT TYPICAL FLOOR LEVEL. U.N.O. ALL SLAB ARE S21.
[TOWER-2]

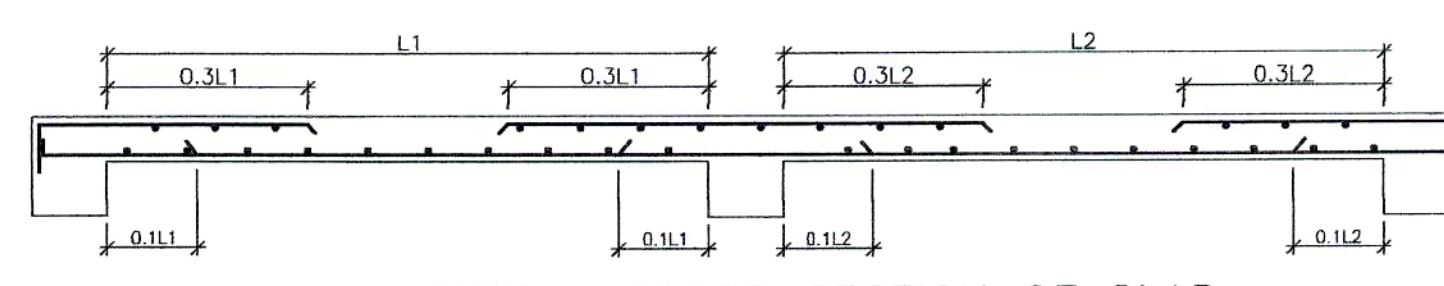


TYPICAL DETAIL OF CONTINUOUS BEAM

BEAM MKD	SIZE (IN mm)	AT SUPPORT		AT SPAN		STIRRUPS	
		TOP	BOT	TOP	BOT	SUPPORT	SPAN
DB1	200X600	4-25T	2-25T	2-25T	2-25T+2-20T	10T@100C/C	10T@200C/C
B1	200X600	5-25T	2-25T	2-25T	2-25T+2-20T	10T@100C/C	10T@200C/C
B2	200X600	4-20T	2-20T	2-20T	2-20T+2-16T	8T@100C/C	8T@200C/C
SB1	200X600	2-25T	2-25T	2-25T	2-25T+	10T@100C/C	10T@200C/C
SB1A	200X600	2-25T	2-25T	2-25T	2-25T+2-20T	10T@100C/C	10T@200C/C
SB2	200X600	2-16T	2-16T	2-16T	2-16T+1-12T	8T@100C/C	8T@200C/C
SB3	200X600	2-12T	2-16T	2-12T	2-16T	8T@100C/C	8T@200C/C
CB1	200X600	5-25T	2-25T	4-25T	2-25T	10T@75C/C	



TYPICAL SECTION OF STAIRCASE



TYPICAL CROSS-SECTION OF SLAB SHOWING REIN. CURTAILMENT

SLAB MKD.	SLAB THK.	SHORTER SPAN		LONGER SPAN	
		SUPPORT TOP	MID SPAN BOT	SUPPORT TOP	MID SPAN BOT
S1	110	8T@150c/c	8T@175c/c	8T@175c/c	8T@175c/c
S2	110	8T@175c/c	8T@200c/c	8T@175c/c	8T@200c/c
S3	150	10T@150C/C	10T@150C/C	10T@150C/C	10T@150C/C

PROVIDE 8T@200C/C WHEREVER NECESSARY

PROJECT:
PROPOSED PARTLY B+G+12 STORIED AFFORDABLE HOUSING AT PREMISES NO. - MOUZA - BHASA, J.L. NO. - 20, L.R. DAG NO. - 483 TO 485, 489 TO 495, 497 TO 499, 513 TO 517, 727. P.S.- BISHNUPUR, DIST - 24 PGS (SOUTH).
(PARTLY REVISED SANCTION DONE VIDE FILE NO. - 558/688/Rev/KMDA, Dtd 01-04-2019.)

- BLOCK-1 TOWER-2
- NOTES:
- ALL DIMENSIONS ARE IN MM. & LEVELS ARE IN M. U.N.O.
 - GRADE OF CONCRETE IS
 - PILE = M30
 - PILE CAP, COLUMNS, BEAMS, SLABS UP TO 3rd FLOOR LEV. = M40
 - COLUMNS, BEAMS, SLABS FROM 3rd. FLOOR TO ROOF LEV. = M35.
 - LAP/BONDS LENGTH SHALL BE 40 x D WHERE D IS THE DIA OF SMALLER BAR.
 - CLEAR COVER TO REINFORCEMENT:-
 a) PILE/PILECAP= 50 mm
 b) COLUMN & TIE BEAM = 40 mm
 c) FLOOR BEAM = 25 mm d) FLOOR SLAB = 20 mm
 e) WAIST SLAB = 20 mm
 - SPECIAL NOTES FOR PILES:-
 a) SLUMP FOR CONCRETE SHALL BE 150 TO 180.
 b) MAXIMUM W/C RATIO IS 0.5
 c) MINIMUM CEMENT CONTENT IS 400KG/CUM OF CONCRETE.
 d) CUTTING SHALL BE DONE BY CHESEL AND BAILER,
 e) EXTRUSION SHALL BE DONE BY D.M.C. METHOD.
 f) ROLLER TYPE COVER BLOCK IS TO BE USED.
 g) SPECIFIC GRAVITY OF BENTONITE SLURRY AFTER WASH SHALL BE 1.1 TO 1.12.
 h) PILE TO BE TESTED IN ACCORDANCE WITH IS 2911 PART-4.

Woodland Complex Private Limited Development Corporation Private Limited
 Director Director
 (SIGNATURE OF OWNER)

CERTIFICATE
 WE DO HEREBY CERTIFY THAT THE FOUNDATION AND SUPERSTRUCTURE OF THE BUILDING PROPOSED FOR CONSTRUCTION ON PREMISES NO. MOUZA- BHASA, J.L. NO. - 20, L.R. DAG. NO. - 483 TO 485, 489 TO 495, 497 TO 499, 513 TO 517, 727. P.S.- BISHNUPUR, DIST - 24 PGS (SOUTH) HAVE BEEN SO DESIGNED BY ME / US WILL MAKE SUCH FOUNDATION AND SUPERSTRUCTURE SAFE IN ALL RESPECT INCLUDING THE CONSIDERATION OF BEARING CAPACITY AND SETTLEMENT OF SOIL ETC.

MALAY KUMAR GHOSH
 Regn. No. CA/92/14854
 35A, Dr. Sarat Banerjee Road
 Kolkata - 700 029

MALAY KUMAR GHOSH
 REGN. NO. CA/92/14854
 35A, DR. SARAT BANERJEE ROAD. KOLKATA-700029
 SIGNATURE OF ARCHITECT & SEAL

K. Sengupta
 Koushik Sengupta
 B.E. (CIVIL), M.E. (STRUCTURE)
 E.S.E. - 1/76 (K.M.C.)

Koushik Sengupta
 B.E. (CIVIL), M.E. (STRUCTURE)
 ESE - 1/76 (K. M. C)
 SIGNATURE OF STRUCTURAL ENGINEER & SEAL

Alok Roy
 Empowered Geotechnical Engineer
 Kolkata Municipal Corporation
 Class-I, No. G/17/11
 6A, Milan Park,
 Kolkata-700 084

Checked & Vetted
 Dr. Partha Pratim
 B.E. (CIVIL), M.E. (Structural Engg.), Ph.D. (Engg.)
 Professor
 Construction Engg. Department
 Jadavpur University, Kolkata-700 106

ALOK ROY
 GTE - 1/11
 6A MILAN PARK, GARIA, KOLKATA- 700084.
 SIGNATURE OF GEO-TECHNICAL ENGINEER & SEAL

ARCHITECT
ESPACE
 35A, DR.SARAT BANERJEE ROAD, KOLKATA-700029
 FAX-PHONE- 033-465-4130, 033-465-4159, e-mail- espace@vsnl.com

STRUCTURAL CONSULTANT
KSG PROJECTS AND INFRASTRUCTURE CONSULTANTS
 P-545, RAJA BASANTA ROY ROAD, KOLKATA-700-029

SCALE:- 1:100, 1:50, 1:25, 1:10 DATE:-08.12.2020.

DRAWING NO.-KPGC/ESPACE,/EDEN JOKA /TOWER-2/CORP./2 OF 2